



Make It Yours.

Dyn X – Racing Seat

IXM-RS1-**-**-*



Dyn X – Racing Seat

Ignite your virtual racing journey with the Dyn X Racing Seat. This is not simply a seat—it's your entryway to the fast-paced world of the most challenging global racetracks. Our precision-engineered GT-style racing seat is further enhanced by our adaptable headrest to simulate a Formula-style seat when needed. This ensures your racing sessions are as immersive as they are invigorating.

Personalize your racing experience with included customizable cushion covers in black, red, or blue, and truly make this seat your own. Constructed with durable materials designed for enduring comfort and support, the Dyn X Racing Seat is perfectly suited for extended racing sessions.

The fiberglass composite shell offers unmatched rigidity, and the synthetic suede leather finishing adds a touch of class, keeping you cool and in control. Adjust the removable headrest to find your perfect fit and keep driving as long as you want. With the Dyn X Racing Seat, we've seamlessly blended modern aesthetics with race-inspired design to bring the pro-racing experience.

FEATURES

Real-to-Life Racing Experience

An actual racing seat takes your virtual racing experience to a professional level, immersing you in the thrill of the race.

Unrivaled Flexibility

The universal design adapts to a wide range of driving positions including Formula, GT, Rally, NASCAR, Trophy Truck, and more, meeting the diverse needs of any simulation.

Personalized Experience

Choose from black, red, or blue seat and headrest cushion covers to match your racing setup or personal style.

Long-Lasting Comfort

The robust structure delivers optimal ergonomics, keeping you comfortable and focused, even throughout extended racing sessions.

Race-day Aesthetics

The modern design, taken from the world of professional racing, fits perfectly into your space and matches the Cooler Master tech lifestyle.

Sturdy Construction

The seat's fiberglass composite shell maintains rigidity during intense racing scenarios, meeting the demands of professional racing.

Enhanced Comfort

Premium synthetic suede leather ensures comfort, no matter how long you race.

Premium Seat Material

The high-quality fabric is designed for reduced wear, giving you a seat that's built to last.

Adjustable Headrest

The detachable and adjustable headrest not only ensures support across various driving positions for maximum comfort, but also enables the simulation of a Formula style seat without the need for seat replacement.

PACKAGE INFORMATION

Cont.	W/ Pallet	Carton/ Pallet
20'	64	2
40'	144	2
40 HQ	180	2

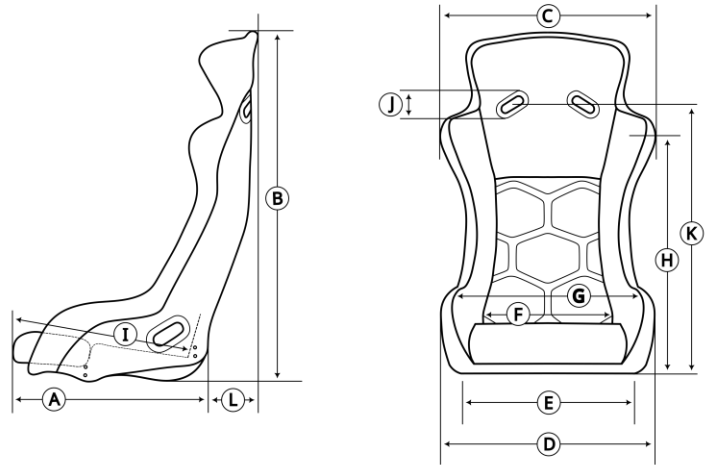
Region/Color	EAN	UPC
Global - Black (IXM-RS1-KB-NN-1)	4719512139790	884102112119
CN - Black (IXM-RS1-KB-NN-1)	6928968318378	

Package Specifications

Net weight	9kg
Gross weight	11.5kg
Carton dimension (L x W x H)	1050mm x 590mm x 450mm

SPECIFICATIONS

General Specifications	
Seat Shell Material	Fiberglass Reinforced Plastic (FRP)
Seat Fabric Material	Premium Synthetic Suede (Eco-suede)
Seat Padding	Multi-density Foam / Shock-absorbent Foam
Harness Slots	5
Headrest	Detachable and Adjustable



Seat Dimensions	
A: Outer Seat Depth	500mm
B: Outer Seat Height	925mm
C: Outer Shoulder Width	575mm
D: Outer Bottom Width	540mm
E: Mounting Width	420mm
F: Inner Seat Width (Back)	360mm
G: Inner Seat Width (Front)	430mm
H: Shoulder Support Height	625mm
I: Seat Depth	465mm
J: Belt Slot Height	55mm
K: Middle of Belt Slot	700mm
L: Seat Back Depth	130mm
Mounting Hole Distance	290mm